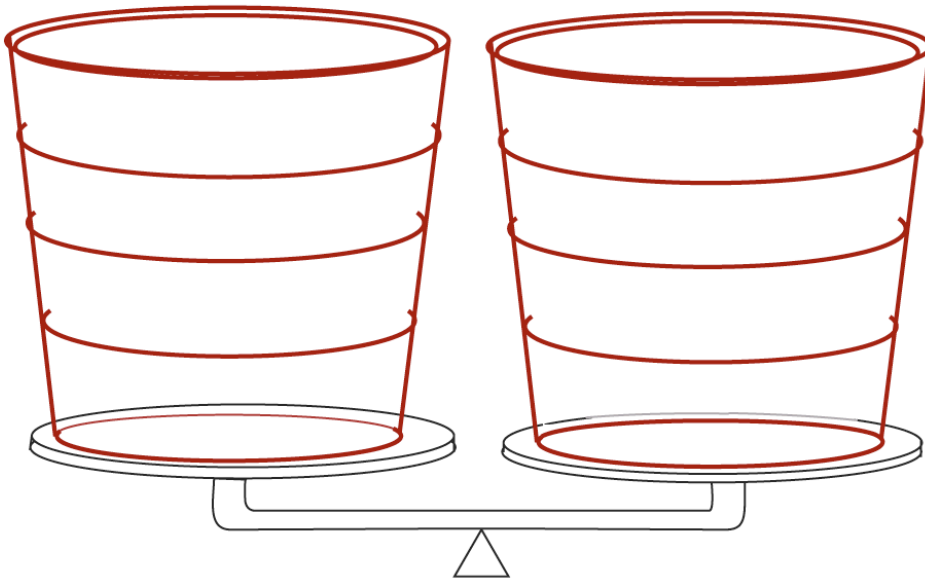
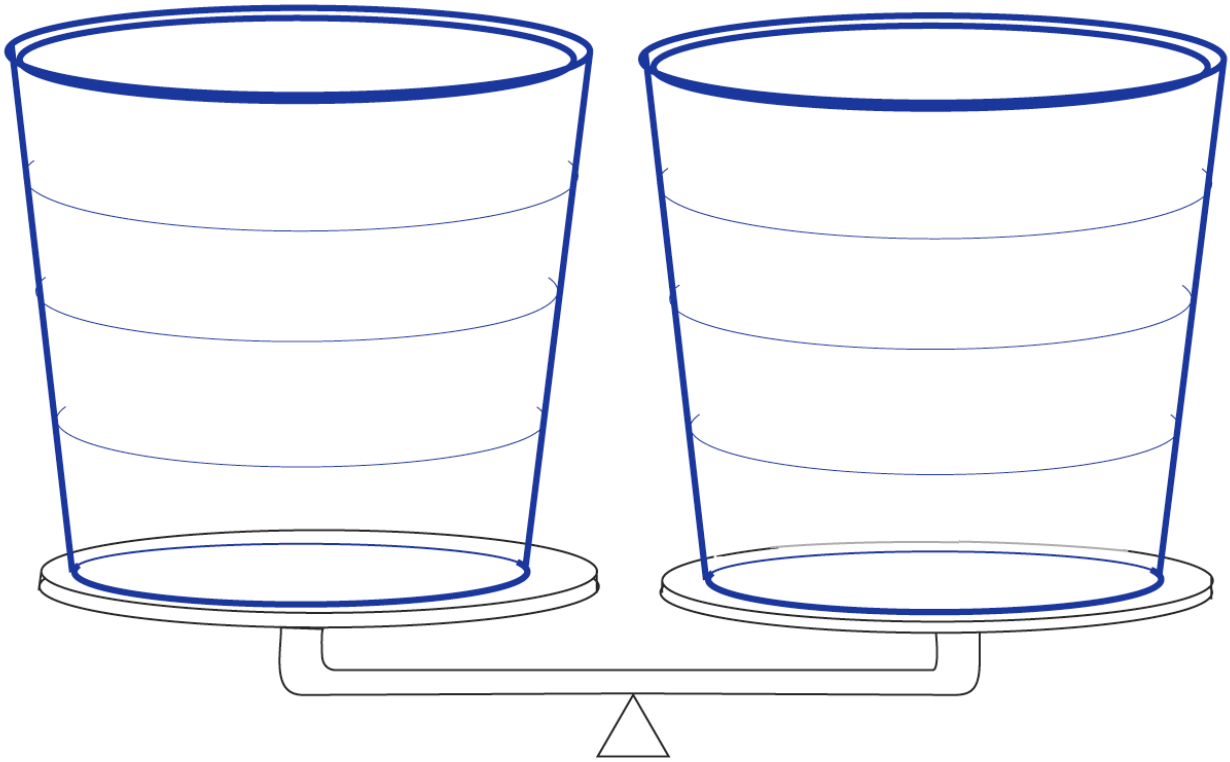


8-11

Find weight of _____



$$3L + 3 = P + 4 \quad L + 4 = P$$